

# Secondary cables for portable Spot Welding Machine

1.This specification consult to JIS C 9318

2.Ours secondary cable mainly include Kickless cable and single conductor cable.

1)Kickless cable: A low-reactance water cooled flexible cable composed of 2 separate conductors insulated mutually and braided into a single hose.

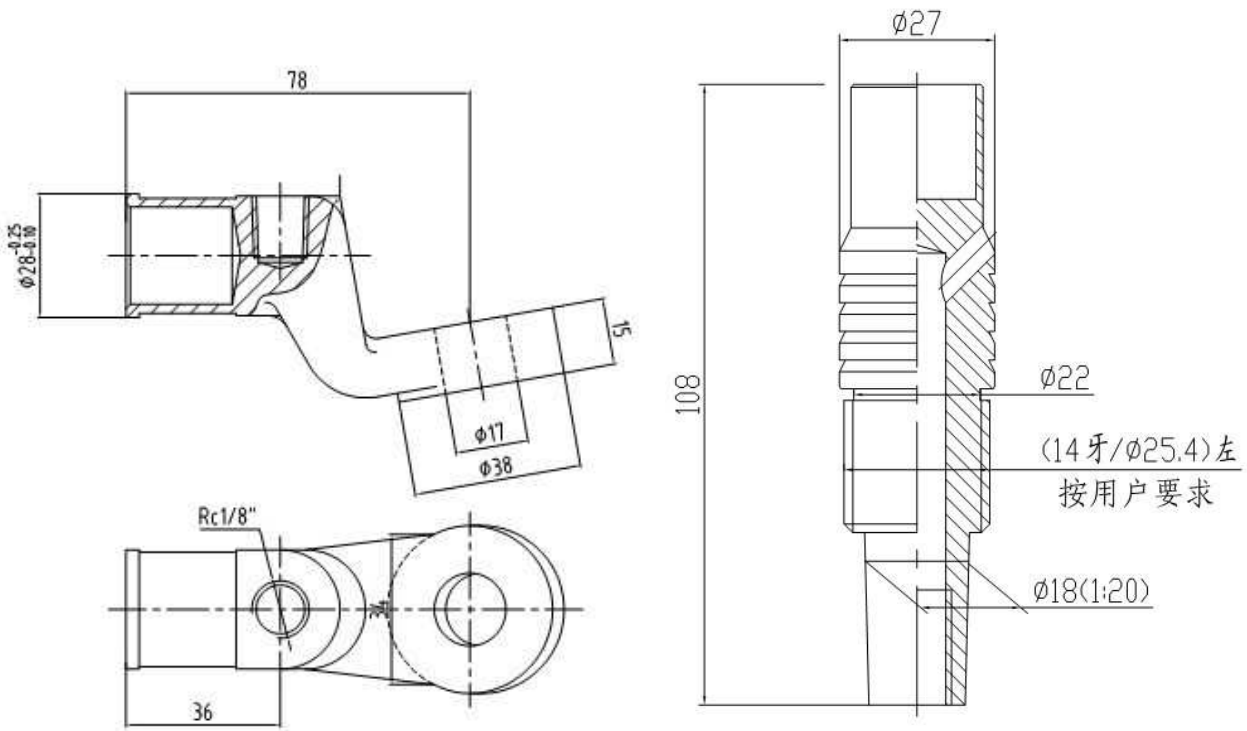
2)Single conductor cable: A water cooled flexible,in which each of go-and-return path conductors is braided into a hose,usually making a set.



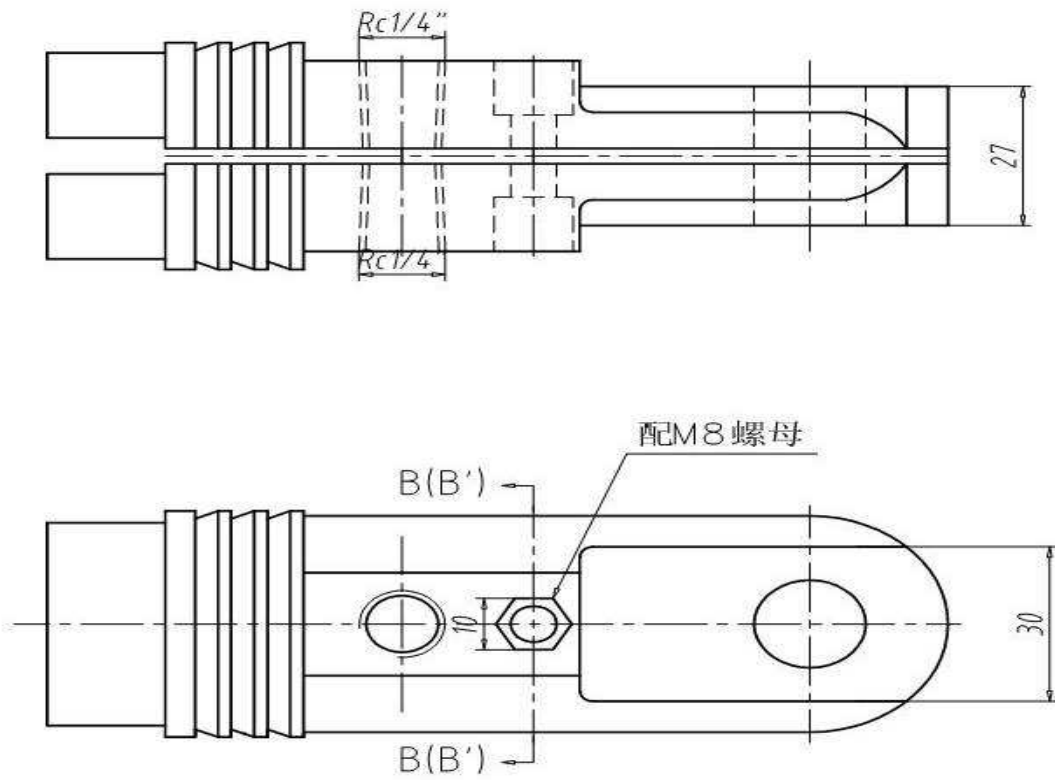
## 3.Specification

ITEM	CABLE SIZE					
	300MCM (2X150MM <sup>2</sup> )			400MCM (2X200MM <sup>2</sup> )		
	2.0M	2.4M	3.0M	2.0M	2.4M	3.0M
RESISTANCE ( $\mu \Omega$ )	460	550	680	330	400	495
IMPEDANCE ( $\mu \Omega$ )	465 $\pm$ 10	556 $\pm$ 10	686 $\pm$ 10	333 $\pm$ 15	404 $\pm$ 15	500 $\pm$ 15
REACTANCE ( $\mu \Omega$ )	68	81	90	45	57	71
COOLING WATER FLOWING	7L/MIN					
Dia. Of bare copper wire	$\phi$ 0.25mm					
LIFE TIME	About 600000 spot welding at 12000A, 10CYCLE (NORMALLY 4MONTHES)					

4.Cable terminal:PLS check the following Pic.1, it's common used. we also can make terminals according to your drawing.



Pic.1: Single conductor cable terminal



Pic.2: Kickless cable terminal

5.Cable Model:

A.kickless cable model:

Usually,we have 3 kinds of cross section 150sqmm\*2, 160sqmm\*2and 200sqmm\*2,the standard length is 2.4m.Also,we can make different length cable according to clients' needs.

B. Single conductor cable:

We have 150/160/180/200/250sqmm cross section cable, the length is according to customers' needs.